

**G4 Flip COB+Silicon 360° /Compact Size/Uniformity light/Patent products**

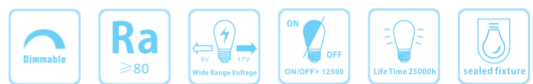
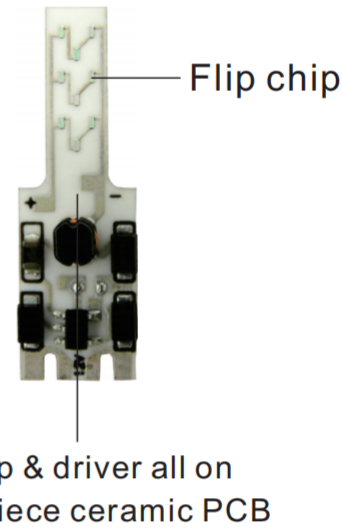
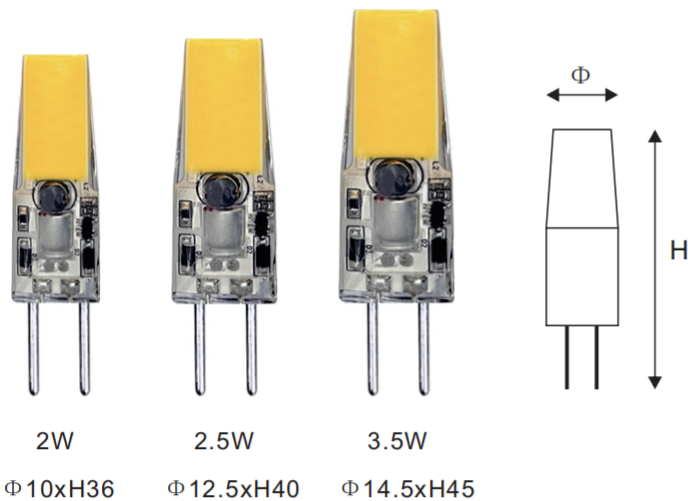


**Remark:**

- ⦿ Adopts high end Silica Gels
- ⦿ Flip COB LEDs
- ⦿ Customized Constant Current driver solution
  - Dimmable
  - 9-15VAC/DC or 10-30VAC/DC
  - Compatible for different specialized transformers to landscape light
- ⦿ Suitable for enclosed fixture and Damp location(IP65)

**Advantage of Flip chip & DOB PCB**

- \* Better heat dissipation
- \* No wire bonding, more stable
- \* Higher lumen, longer lifetime



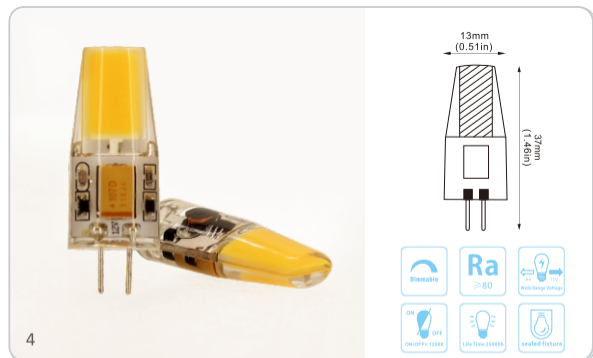
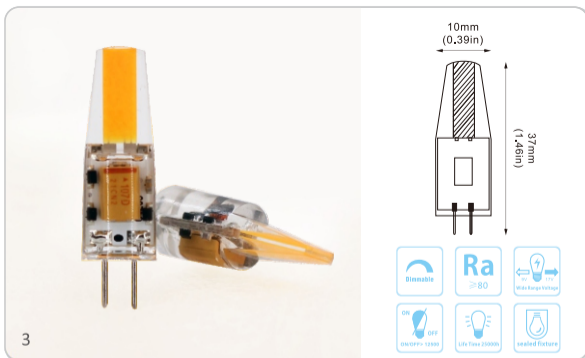
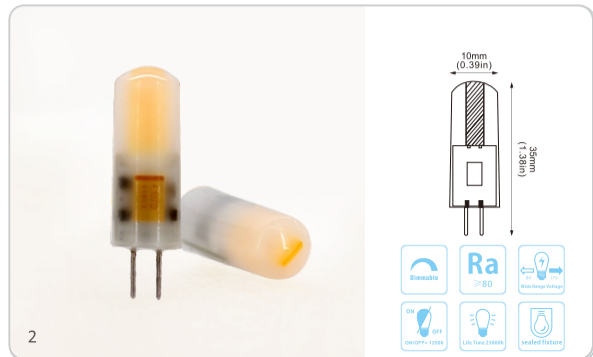
No.	Model	Real Power	Light Source	Lumen	Color Temperature	CRI	Voltage	Remark
1	EST-G4-COB-2W-BT	1.5W	1pc COB LEDs silicon Flip Chip&DOB PCB	200lm	2700-6500K	Ra>80	9-15V AC/DC	/
2	EST-G4-COB-2.5W-BT	2.2W		280lm	2700-6500K	Ra>80	9-15V AC/DC	/
3	EST-G4-COB-3.5W-BT	3.2W		400lm	2700-6500K	Ra>80	9-15V AC/DC	/

G4 COB + Silicon 360°/Compact Size/ Uniformity light/Patent products



**Remark:**

- Adopts high end Silica Gels
- Imported COB LEDs
- Customized Constant Current driver solution
  - Dimmable
  - 9-15VAC/DC or 10-30VAC/DC
  - Compatible for different specialized transformers to landscape light
- Suitable for enclosed fixture and Damp location(IP65)



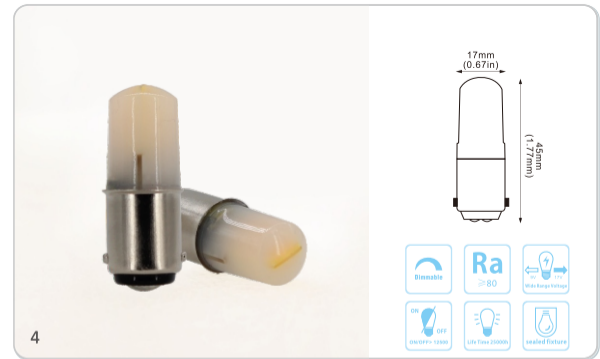
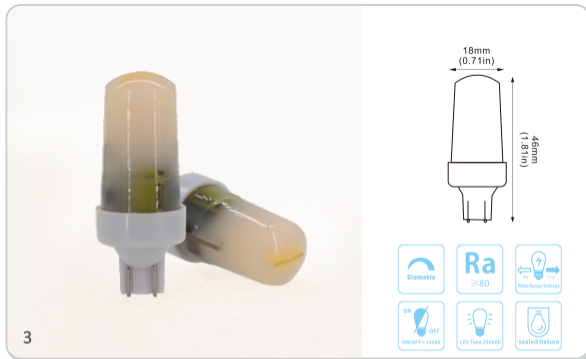
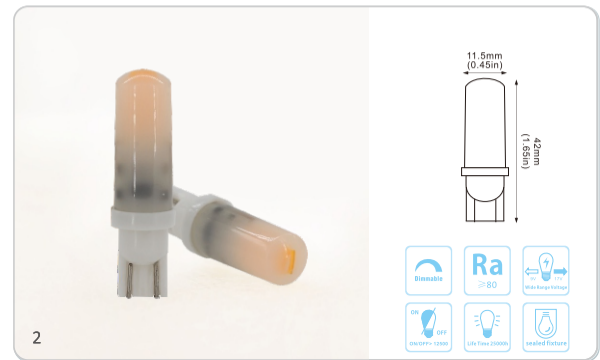
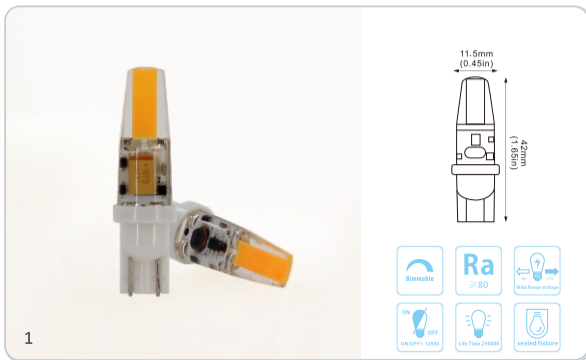
No.	Model	Real Power	Light Source	Lumen	Color Temperature	CRI	Voltage	Remark
1	EST-G4-COB-1.5W	1W	0705 COB LEDs	120Lm	2700-6500K	Ra>80	9-15V AC/DC	/
2	EST-G4-COB-2W-AF	1.5W	1505 COB LEDs	200Lm	2700-6500K	Ra>80	9-15V AC/DC	/
3	EST-G4-COB-2W-BT	1.5W	1505 COB LEDs	200Lm	2700-6500K	Ra>80	9-15V AC/DC	/
4	EST-G4-COB-3W-BT	2.5W	1508 COB LEDs	280Lm	2700-6500K	Ra>80	9-15V AC/DC	/

**LED COB+Silicon 360°/High CRI (90+)/ Uniformity light/Optional CCT**



**Remark:**

- ⊙ Adopts high end Silica Gels
- ⊙ Imported COB LEDs
- ⊙ Customized Constant Current driver solution
  - Dimmable
  - 9-15VAC/DC or 10-30VAC/DC
  - Compatible for different specialized transformers to landscape light
- ⊙ Suitable for enclosed fixture and Damp location(IP65)



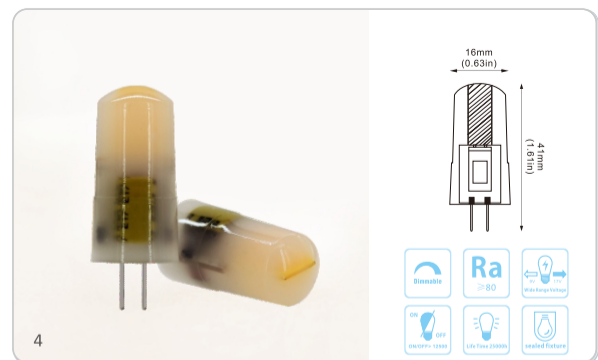
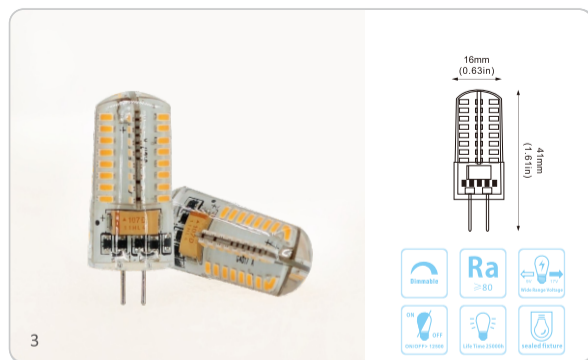
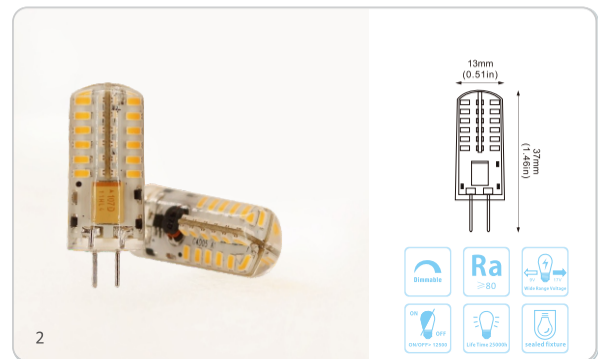
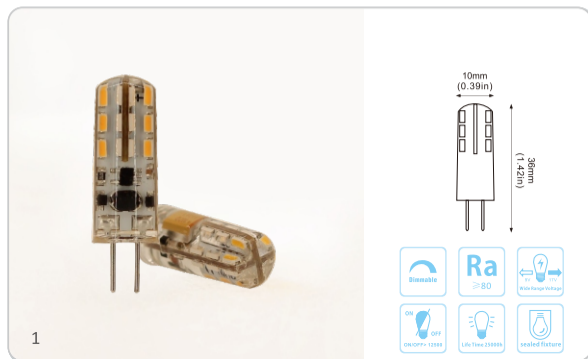
No.	Model	Real Power	Light Source	Lumen	Color Temperature	CRI	Voltage	Remark
1	RD-T10-COB-2W-BT	1.5W	1505 COB LEDs	200Lm	2700-6500K	Ra>80	9-15V AC/DC	/
2	RD-T10-COB-2W-AT	1.5W	1505 COB LEDs	200Lm	2700-6500K	Ra>80	9-15V AC/DC	/
3	RD-T10-COB-3W	2.8W	1508 COB LEDs	350Lm	2700-6500K	Ra>80	9-15V AC/DC	/
4	RD-BA15S-COB-3W	2.8W	1508 COB LEDs	350Lm	2700-6500K	Ra>80	9-15V AC/DC	/

## LED SMD+Silicon 360°/High CRI (90+)/ Uniformity light/Optional CCT



**Remark:**

- ⊙ Adopts high end Silica Gels
- ⊙ Customized SMD LEDs
- ⊙ Customized Constant Current driver solution
  - Dimmable
  - 9-15VAC/DC or 10-30VAC/DC
  - Compatible for different specialized transformers to landscape light.
- ⊙ Suitable for enclosed fixture and Damp location(IP65)



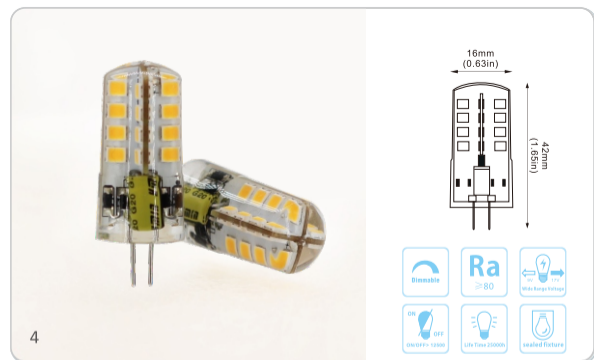
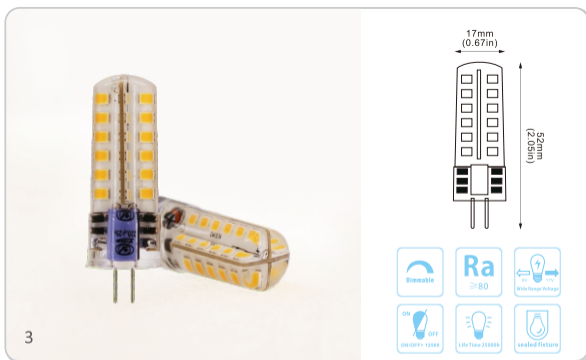
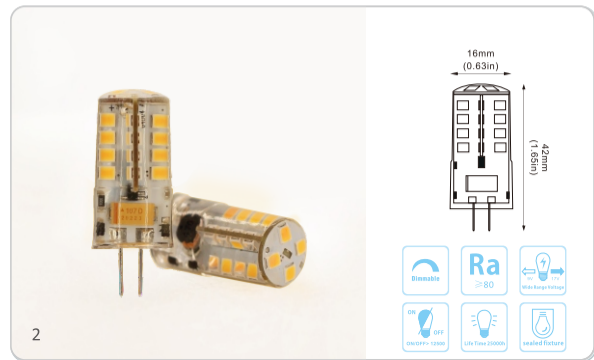
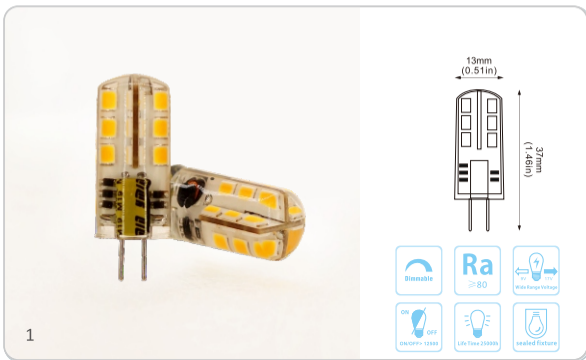
No.	Model	Real Power	Light Source	Lumen	Color Temperature	CRI	Voltage	Remark
1	EST-G4-1.5W-SG	1W	24pcs 3014SMD	120Lm	2700-6500K	Ra>80	9-15V AC/DC	/
2	EST-G4-2W-SG	1.6W	48pcs 3014SMD	160Lm	2700-6500K	Ra>80	9-15V AC/DC	/
3	EST-G4-3W-SG	2.5W	64pcs 3014SMD	220Lm	2700-6500K	Ra>80	9-15V AC/DC	/
4	EST-G4-COB-3W	2.8W	1508 COB LEDs	350Lm	2700-6500K	Ra>80	9-15V AC/DC	/

LED SMD+Silicon 360°/High CRI (90+)/ Uniformity light/Optional CCT



**Remark:**

- Adopts high end Silica Gels
- Customized SMD LEDs
- Customized Constant Current driver solution
  - Dimmable
  - 9-15VAC/DC or 10-30VAC/DC
  - Compatible for different specialized transformers to landscape light.
- Suitable for enclosed fixture and Damp location(IP65)



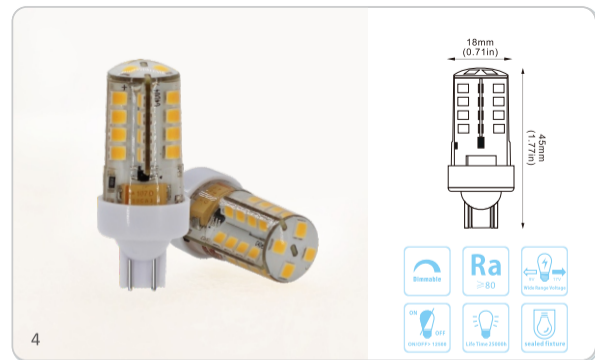
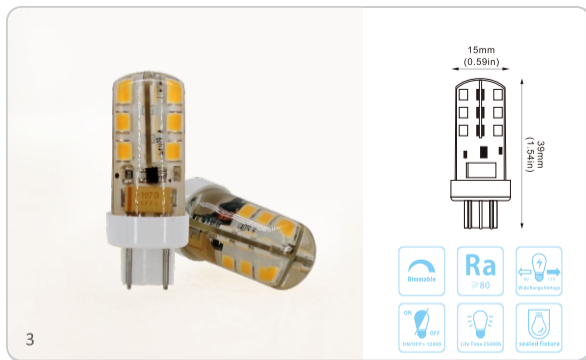
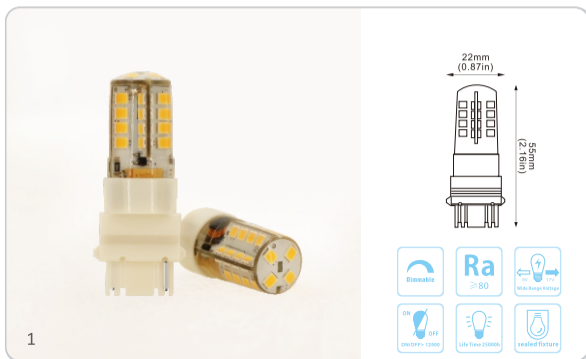
No.	Model	Real Power	Light Source	Lumen	Color Temperature	CRI	Voltage	Remark
1	EST-G4-2W-SG	2W	24pcs 2835 SMD	180Lm	2700-6500K	Ra>80	9-15V AC/DC	/
2	EST-G4-3W-SG	2.5W	32pcs 2835 SMD	220Lm	2700-6500K	Ra>80	9-15V AC/DC	/
3	EST-G4-4W-SG	3W	48pcs 2835 SMD	320Lm	2700-6500K	Ra>80	9-15V AC/DC	/
4	EST-G4-3W-SG	2.5W	32pcs 2835 SMD	220Lm	2700-6500K	Ra>80	9-15V AC/DC	/

# LED SMD+Silicon 360°/High CRI (90+)/ Uniformity light/Optional CCT



**Remark:**

- ⊙ Adopts high end Silica Gels
- ⊙ Customized SMD LEDs
- ⊙ Customized Constant Current driver solution
  - Dimmable
  - 9-15VAC/DC or 10-30VAC/DC
  - Compatible for different specialized transformers to landscape light.
- ⊙ Suitable for enclosed fixture and Damp location(IP65)



No.	Model	Real Power	Light Source	Lumen	Color Temperature	CRI	Voltage	Remark
1	RD-3156-SG-3W	2.5W	36pcs 2835SMD	220Lm	2700-6500K	Ra>80	9-15V AC/DC	/
2	RD-BA15S-3W-SG	2.5W	36pcs 2835SMD	220Lm	2700-6500K	Ra>80	9-15V AC/DC	/
2	RD-BA15D-3W-SG	2.5W	36pcs 2835SMD	220Lm	2700-6500K	Ra>80	9-15V AC/DC	/
3	RD-T10-2W-SG	2W	24pcs 2835 SMD	180Lm	2700-6500K	Ra>80	9-15V AC/DC	/
4	RD-T10-3W-SG	2.5W	36pcs 2835 SMD	220Lm	2700-6500K	Ra>80	9-15V AC/DC	/