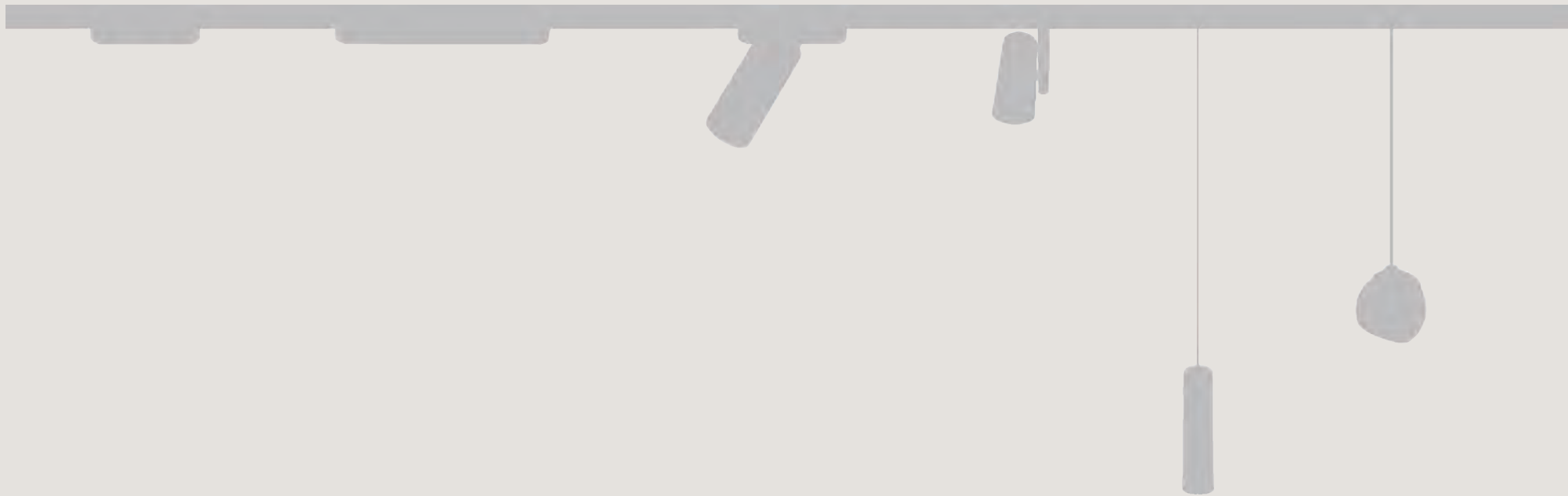


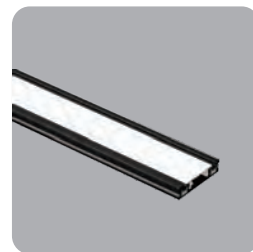
UT25

Ultra Thin Magnetic Track System





**Ultra Thin
Magnetic Track
48V System.**



UT25-Magnetic track 01



UT25-Ultrason 05



UT25-Cyclops 07



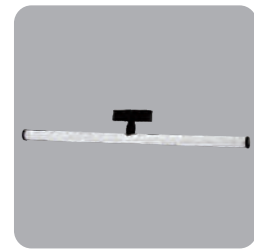
UT25-Spiders 09



UT25-Ultrason 11



UT25-Cyclops 13



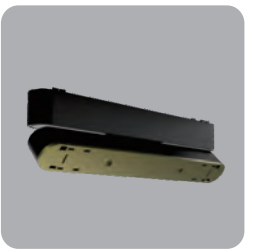
UT25-Vision 35



UT25-Tube 37



UT25-Lighting extension module 39



UT25-Lighting extension module 41



UT25-Surface 43



UT25-Recessed 45



UT25-Spiders 15



UT25-Ultrason 17



UT25-Cyclops 19



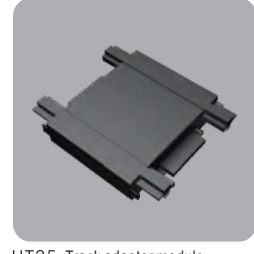
UT25-Agusta 23



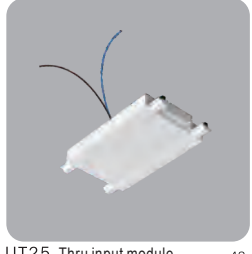
UT25-Agusta 24



UT25-Agusta 25



UT25-Track adapter module 47



UT25-Thru input module 48



UT25-Integrated track 49



UT25-Aluminum channel accessories 50



UT25-Conductive module 51



UT25-PWS-power supply 52



UT25-Agusta 26



UT25-Agusta 27



UT25-Agusta 28



UT25-Hydra 29



UT25-Pista 30



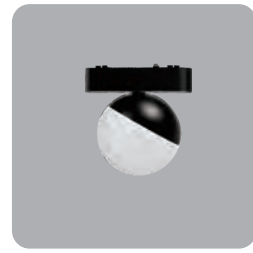
UT25-Pista 30



UT25-PWS-SR-power supply 53



UT25-PWS-RR-power supply 54



UT25-Boling 31



UT25-Boling 31



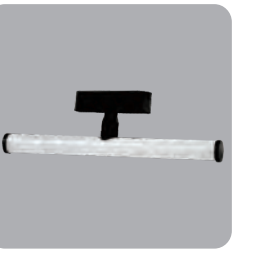
UT25-Marlboro 32



UT25-Marlboro 32



UT25-Spiter 32



UT25-Vision 35

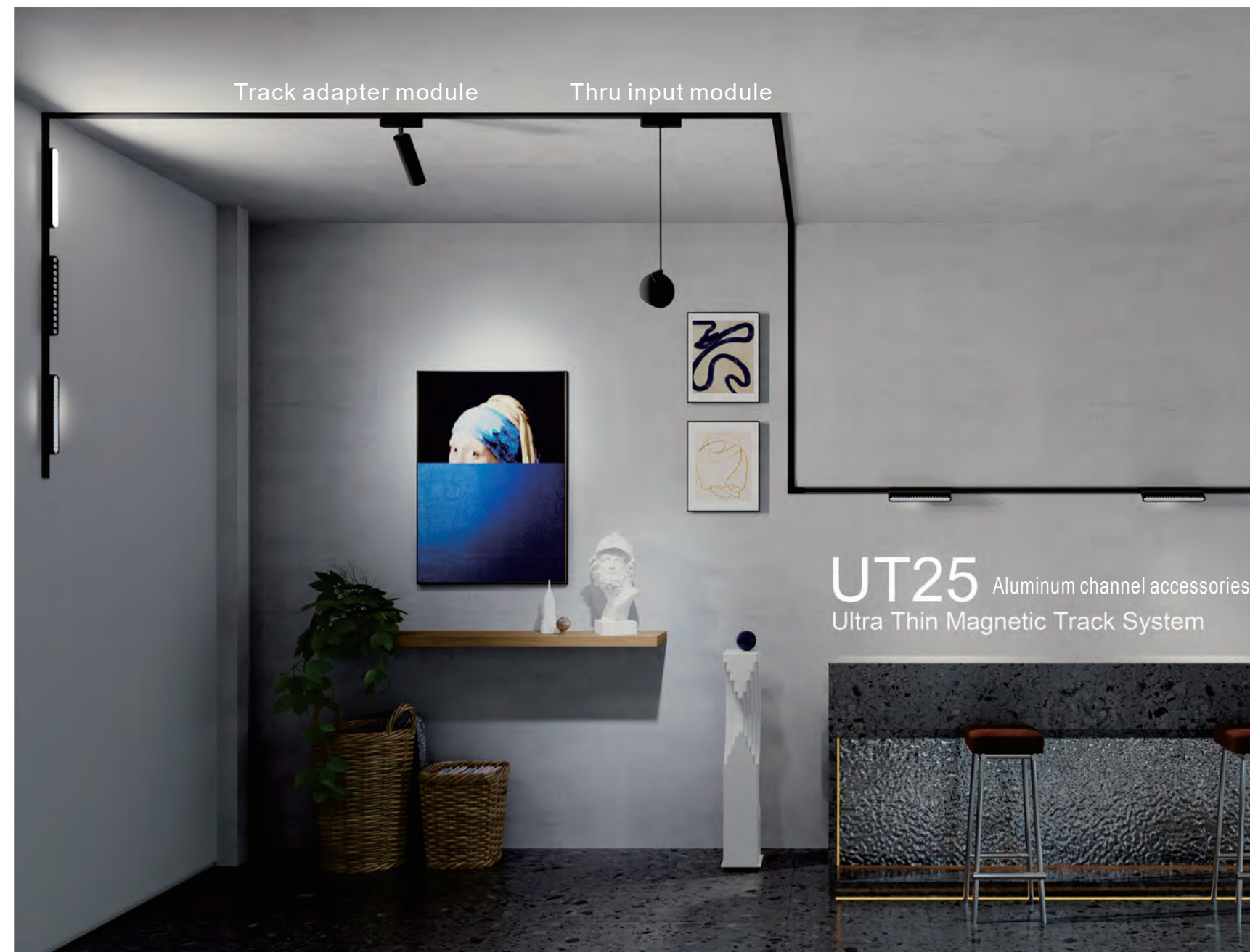
UT25 Magnetic track

Ultra Thin Magnetic Track System
Lighting extension module



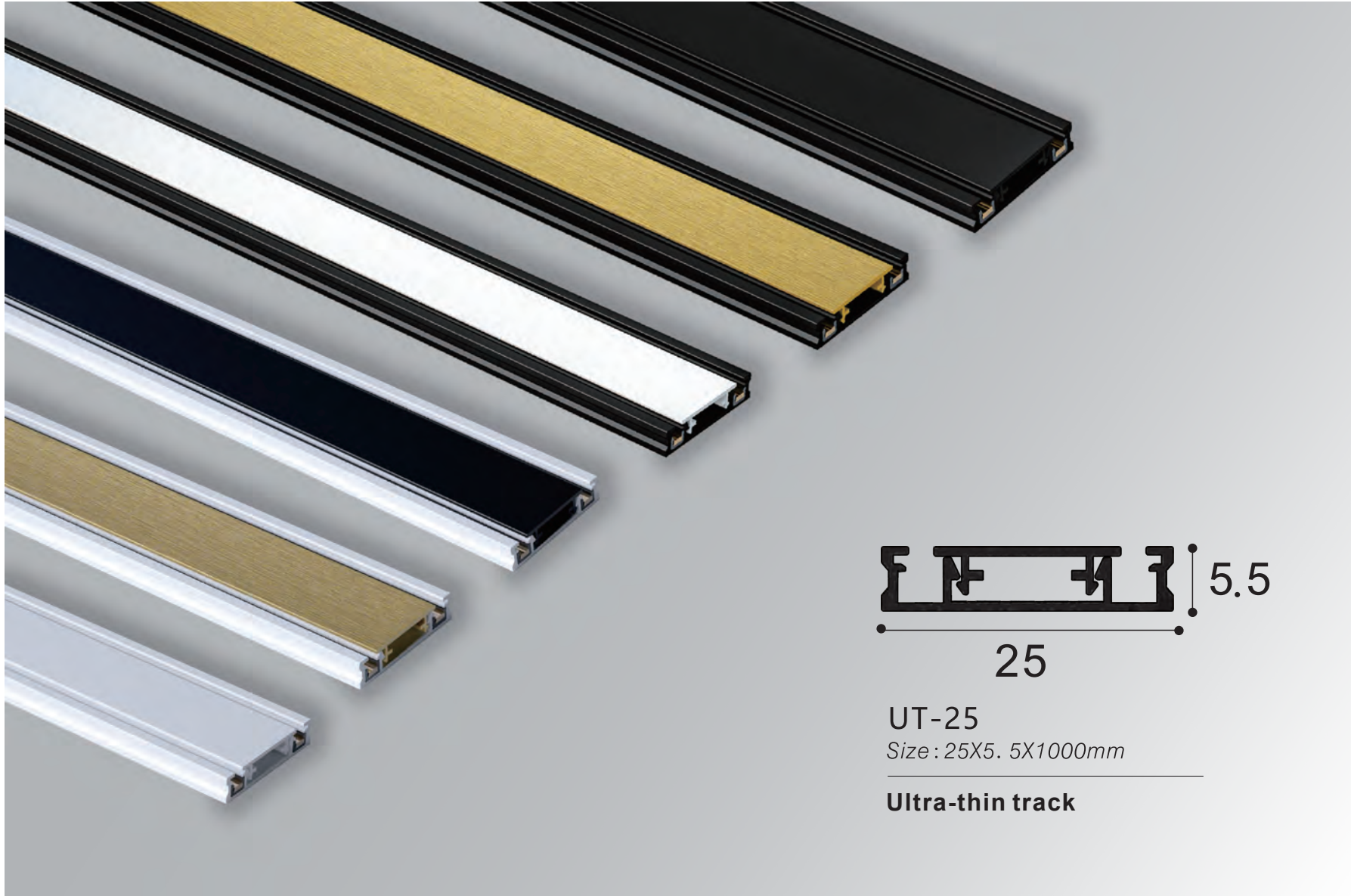
Track adapter module

Thru input module



UT25 Aluminum channel accessories
Ultra Thin Magnetic Track System

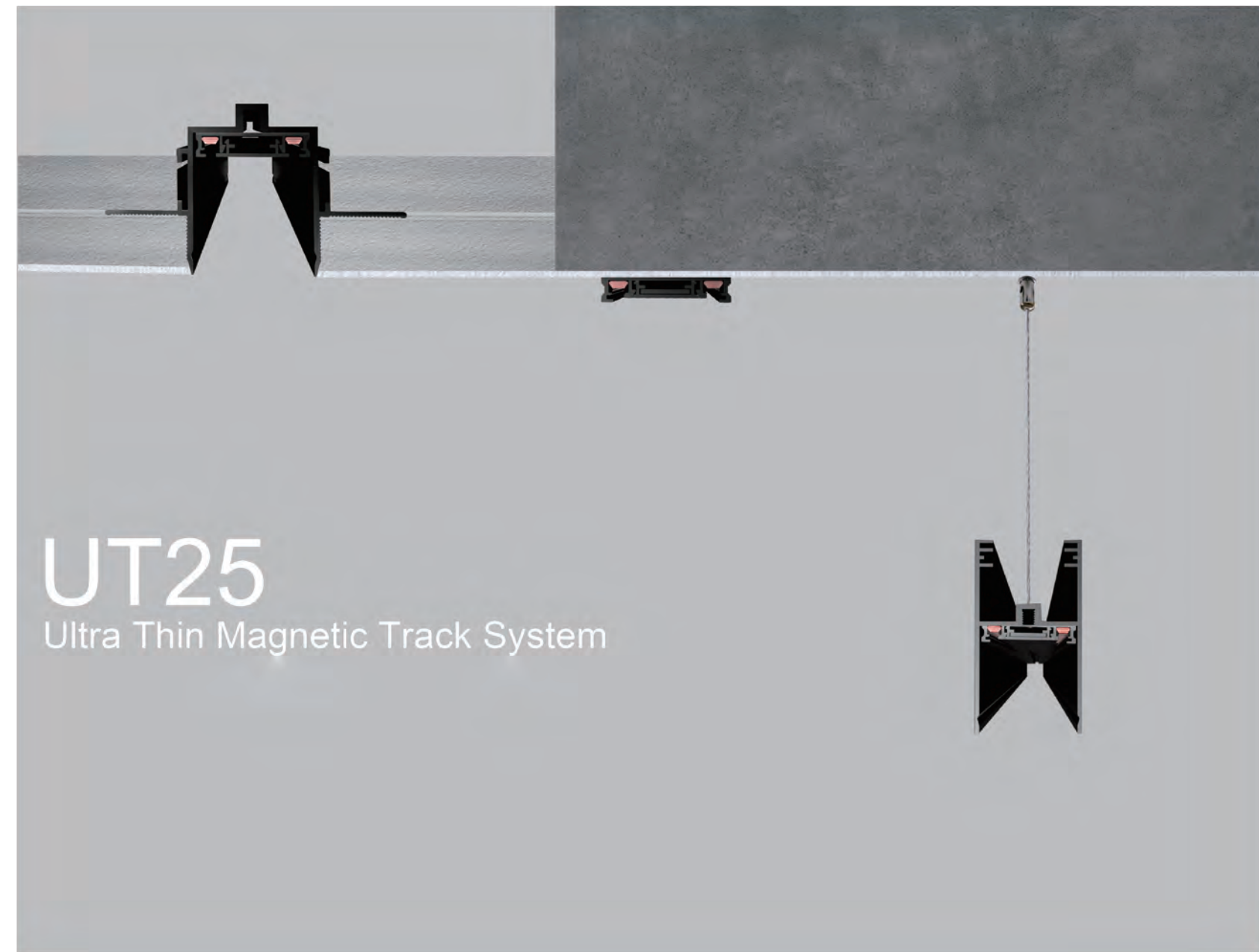
UT 25 track series



5.5mm ultra-thin thickness

Ultra-thin line design creates minimalist space aesthetics

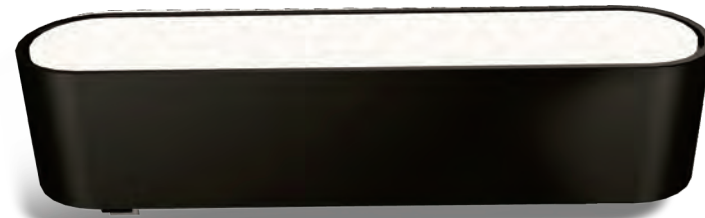
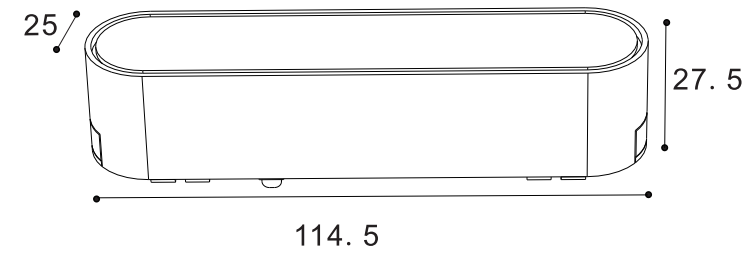




UT25

Ultra Thin Magnetic Track System

UT25-Ultron



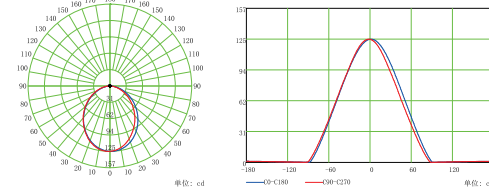
Product Code	Watt	>CRI	Voltage	LUMEN	Product Size	Finish	CCT	System Options
UT25-FLR6	6W	Ra90	40-48V	320lm	114.5x27.5x25	<input checked="" type="checkbox"/> BK <input type="checkbox"/> WH	3000K 3500K 4000K 5000K 2700-6000K	No Dim, Bluetooth, Zigbee,

Beam angle

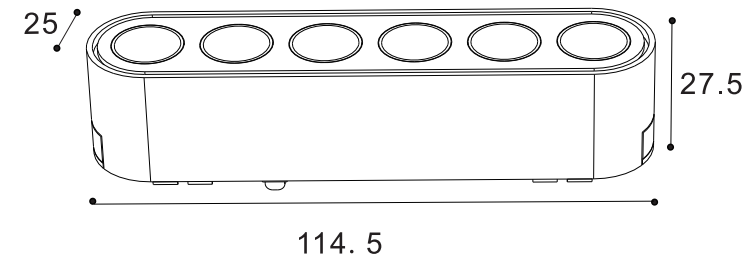


100°

Light distribution curve

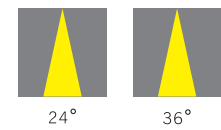


UT25-Cyclops

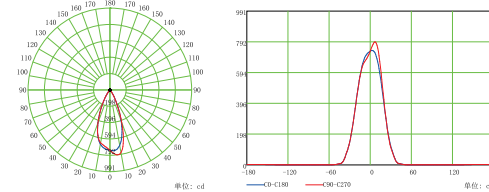


Product Code	Watt	>CRI	Voltage	LUMEN	Product Size	Finish	CCT	System Options
UT25-GLR6	6W	Ra90	40-48V	599lm	114.5x27.5x25	<input checked="" type="checkbox"/> BK <input type="checkbox"/> WH	3000K 3500K 4000K 5000K 2700-6000K	No Dim, Bluetooth, Zigbee,

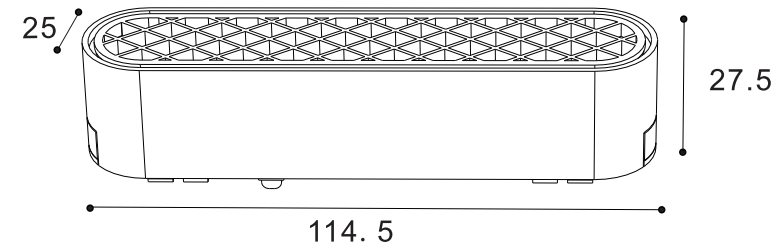
Beam angle



Light distribution curve



UT25-Spiders

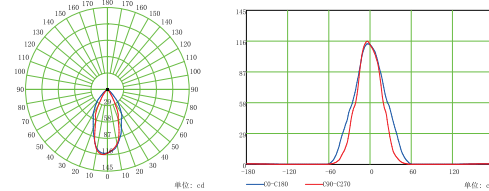


Product Code	Watt	>CRI	Voltage	LUMEN	Product Size	Finish	CCT	System Options
UT25-AGR6	6W	Ra90	40-48V	258lm	114.5x27.5x25	<input checked="" type="checkbox"/> BK <input type="checkbox"/> WH	3000K 3500K 4000K 5000K 2700-6000K	No Dim, Bluetooth, Zigbee,

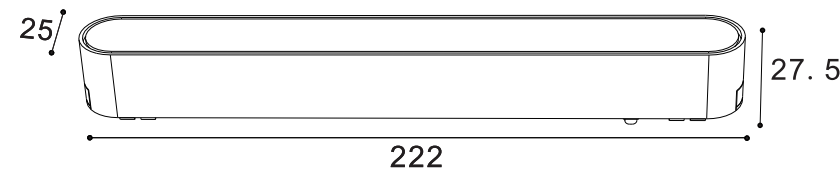
Beam angle



Light distribution curve



UT25-Ultron



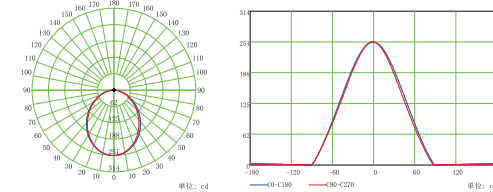
Product Code	Watt	>CRI	Voltage	LUMEN	Product Size	Finish	CCT	System Options
UT25-FLR12	12W	Ra90	40-48V	683lm	222x27.5x25	<input checked="" type="checkbox"/> BK <input type="checkbox"/> WH	3000K 3500K 4000K 5000K 2700-6000K	No Dim, Bluetooth, Zigbee,

Beam angle

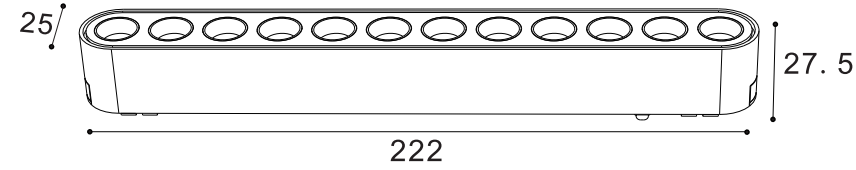
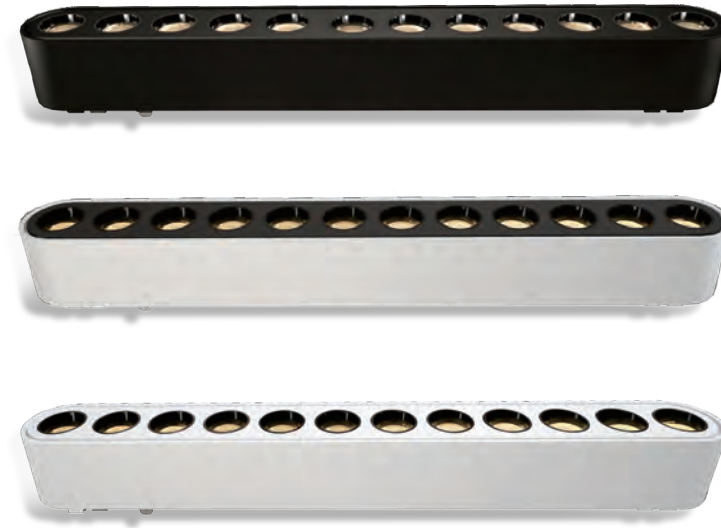


100°

Light distribution curve

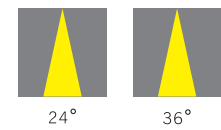


UT25-Cyclops

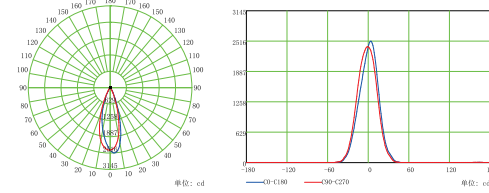


Product Code	Watt	>CRI	Voltage	LUMEN	Product Size	Finish	CCT	System Options
UT25-GLR12	12W	Ra90	40-48V	1123lm	222x27.5x25	<input checked="" type="checkbox"/> BK <input type="checkbox"/> WH	3000K 3500K 4000K 5000K 2700-6000K	No Dim, Bluetooth, Zigbee,

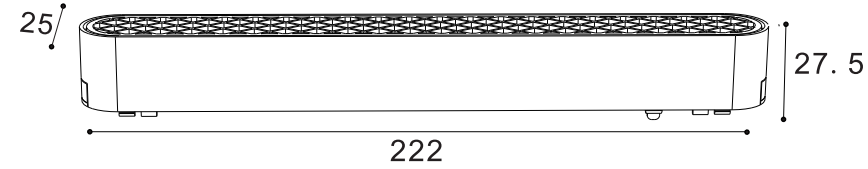
Beam angle



Light distribution curve



UT25-Spiders



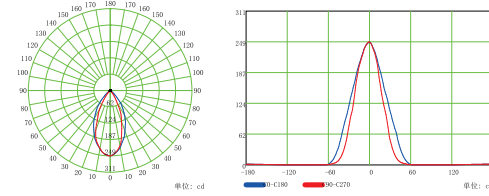
Product Code	Watt	>CRI	Voltage	LUMEN	Product Size	Finish	CCT	System Options
UT25-AGR12	12W	Ra90	40-48V	562lm	222x27.5x25	<input checked="" type="checkbox"/> BK <input type="checkbox"/> WH	3000K 3500K 4000K 5000K 2700-6000K	No Dim, Bluetooth, Zigbee,

Beam angle

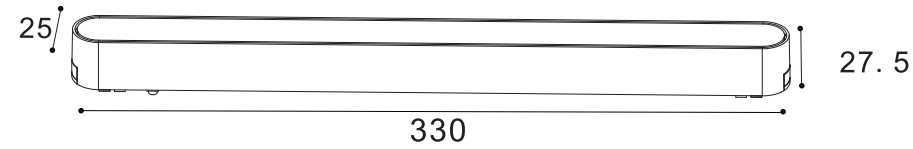


50°

Light distribution curve



UT25-Ultron



Product Code	Watt	>CRI	Voltage	LUMEN	Product Size	Finish	CCT	System Options
UT25-FLR18	16 W	Ra90	40-48V	1024lm	330x27.5x25	<input checked="" type="checkbox"/> BK <input type="checkbox"/> WH	3000K 3500K 4000K 5000K 2700-6000K	No Dim, Bluetooth, Zigbee,

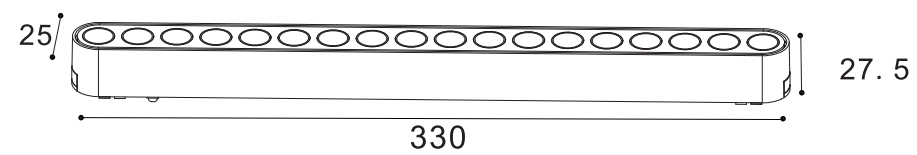
Beam angle



100°

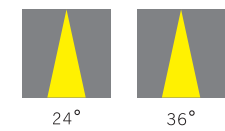


UT25-Cyclops



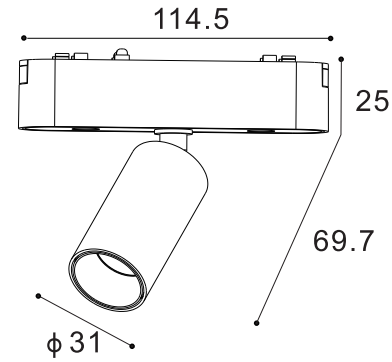
Product Code	Watt	>CRI	Voltage	LUMEN	Product Size	Finish	CCT	System Options
UT25-GLR18	16W	Ra90	40-48V	2100lm	330x27.5x25	<input checked="" type="checkbox"/> BK <input type="checkbox"/> WH	3000K 3500K 4000K 5000K 2700-6000K	No Dim, Bluetooth, Zigbee,

Beam angle



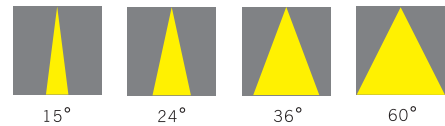


UT25-Agusta

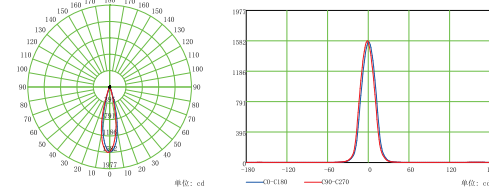


Product Code	Watt	>CRI	Voltage	LUMEN	Product Size	Finish	CCT	System Options
UT25-SL-5W	5W	Ra90	40-48V	504lm	Φ31x94.7x114.5	<input checked="" type="checkbox"/> BK <input type="checkbox"/> WH	3000K 3500K 4000K 5000K 2700-6000K	No Dim, Bluetooth, Zigbee,

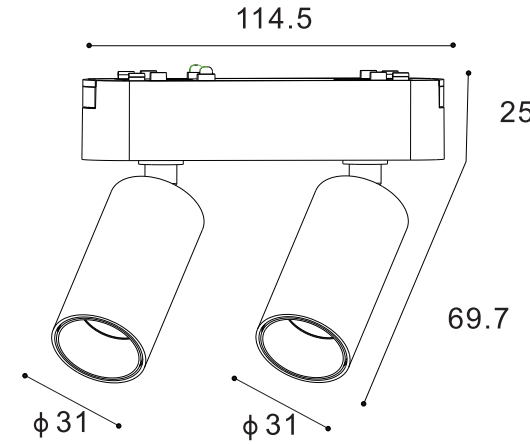
Beam angle



Light distribution curve

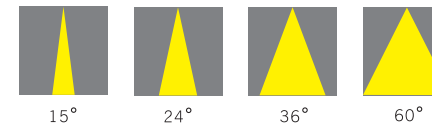


UT25-Agusta



Product Code	Watt	>CRI	Voltage	LUMEN	Product Size	Finish	CCT	System Options
Ut25-SL-5W*2	5W*2	Ra90	40-48V	814lm	Φ31x94.7x114.5	<input checked="" type="checkbox"/> BK <input type="checkbox"/> WH	3000K 3500K 4000K 5000K 2700-6000K	No Dim, Bluetooth, Zigbee,

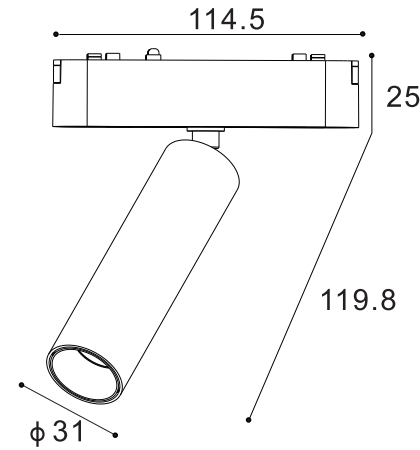
Beam angle



Notes:
 *For other options special request, please contact us.
 For the most updated product information, please go to our website.

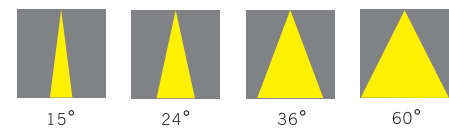


UT25-Agusta

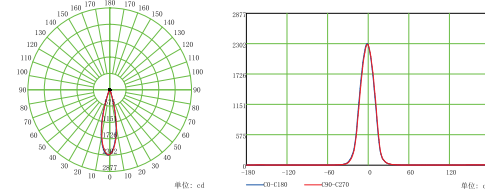


Product Code	Watt	>CRI	Voltage	LUMEN	Product Size	Finish	CCT	System Options
Ut25-SL-7W	7W	Ra90	40-48V	596lm	Φ31x144.8x114.5	<input checked="" type="checkbox"/> BK <input type="checkbox"/> WH	3000K 3500K 4000K 5000K 2700-6000K	No Dim, Bluetooth, Zigbee,

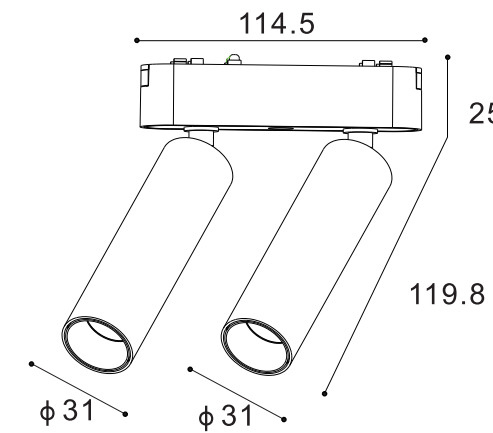
Beam angle



Light distribution curve

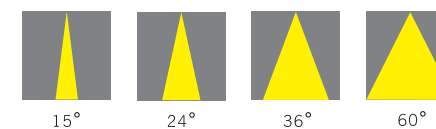


UT25-Agusta



Product Code	Watt	>CRI	Voltage	LUMEN	Product Size	Finish	CCT	System Options
Ut25-SL-7W*2	7W*2	Ra90	40-48V	1247lm	Φ31x144.8x114.5	<input checked="" type="checkbox"/> BK <input type="checkbox"/> WH	3000K 3500K 4000K 5000K 2700-6000K	No Dim, Bluetooth, Zigbee,

Beam angle

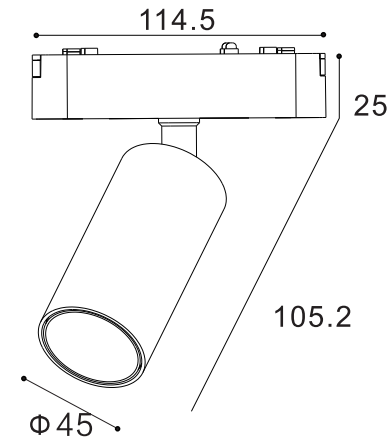


Notes:

*For other options special request, please contact us.
 For the most updated product information, please go to our website.

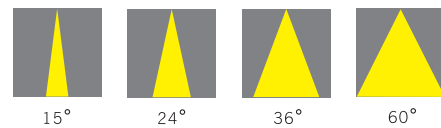


UT25-Agusta

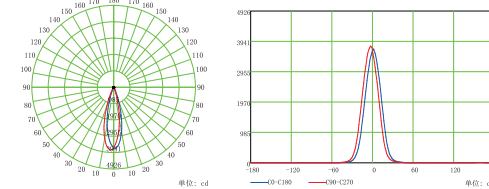


Product Code	Watt	>CRI	Voltage	LUMEN	Product Size	Finish	CCT	System Options
Ut25-SL-12W	12W	Ra90	40-48V	1075lm	Φ45x130.2x114.5	<input checked="" type="checkbox"/> BK <input type="checkbox"/> WH	3000K 3500K 4000K 5000K 2700-6000K	No Dim, Bluetooth, Zigbee,

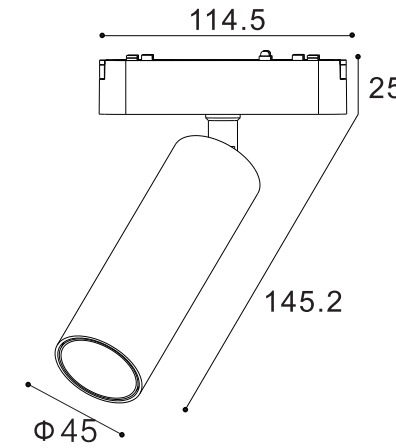
Beam angle



Light distribution curve

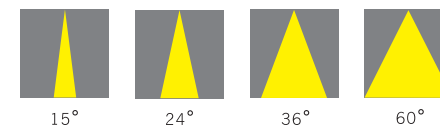


UT25-Agusta

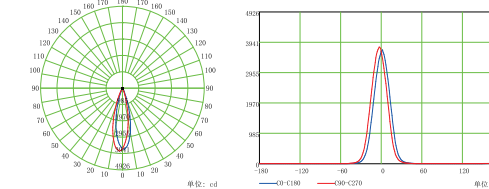


Product Code	Watt	>CRI	Voltage	LUMEN	Product Size	Finish	CCT	System Options
UT25-SL-15W	15W	Ra90	40-48V	1153lm	Φ45x170.2x114.5	<input checked="" type="checkbox"/> BK <input type="checkbox"/> WH	3000K 3500K 4000K 5000K 2700-6000K	No Dim, Bluetooth, Zigbee,

Beam angle



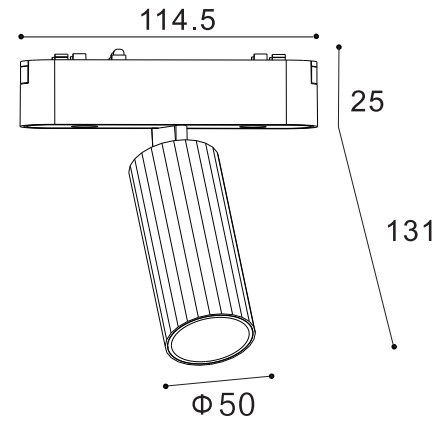
Light distribution curve



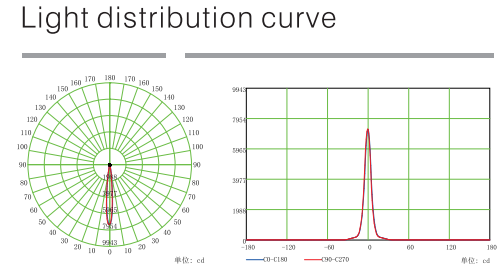
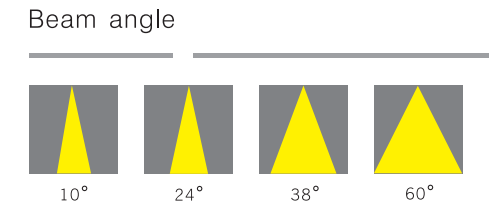
Notes:
 *For other options special request, please contact us.
 For the most updated product information, please go to our website.



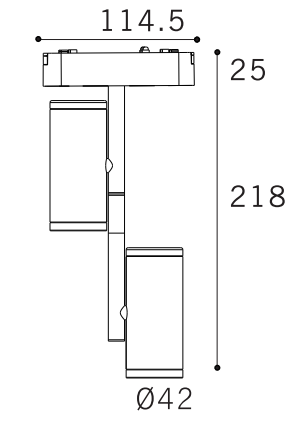
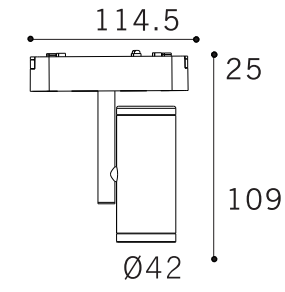
UT25-Hydra



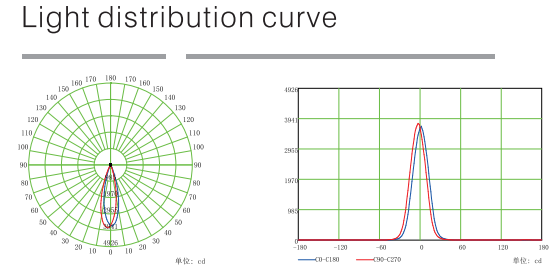
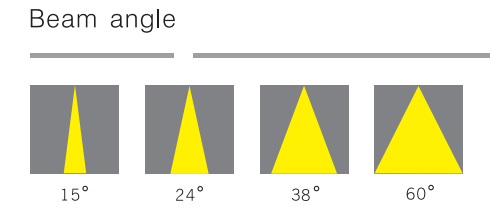
Product Code	Watt	>CRI	Voltage	LUMEN	Product Size	Finish	CCT	System Options
UT25-HD-12W	12W	Ra90	40-48V	485lm	Φ50x156x114.5	<input checked="" type="checkbox"/> BK <input type="checkbox"/> WH	3000K 3500K 4000K 5000K 2700-6000K	No Dim, Bluetooth, Zigbee,



UT25-Pista

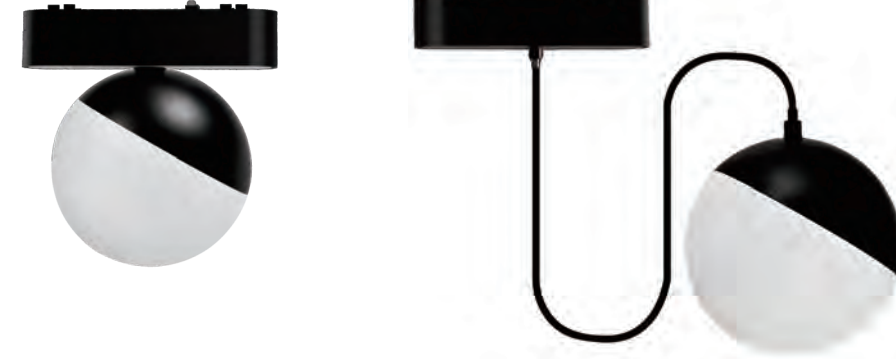
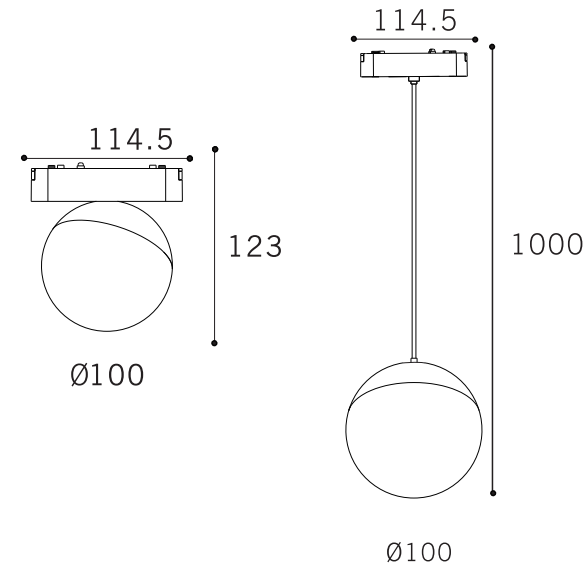


Product Code	Watt	>CRI	Voltage	LUMEN	Product Size	Finish	CCT	System Options
UT25-PST-8W	8W	Ra90	40-48V	618lm	Φ42x134x114.5	<input checked="" type="checkbox"/> BK	3000K	No Dim,
UT25-PSTB-8W*2	8W*2	Ra90	40-48V	1305lm	Φ42x243x114.5	<input type="checkbox"/> WH	3500K 4000K 5000K 2700-6000K	Bluetooth, Zigbee,



Notes:
 *For other options special request, please contact us.
 For the most updated product information, please go to our website.

UT25-Boling



Product Code	Watt	>CRI	Voltage	LUMEN	Product Size	Finish	CCT	System Options
UT25-BL	8W	Ra90	40-48V	776lm	Φ100x123x114.5	■ BK	3000K	No Dim,
UT25-BL2	8W	Ra90	40-48V	726lm	Φ100x1000x114.5	□ WH	3500K 4000K 5000K 2700-6000K	Bluetooth, Zigbee,

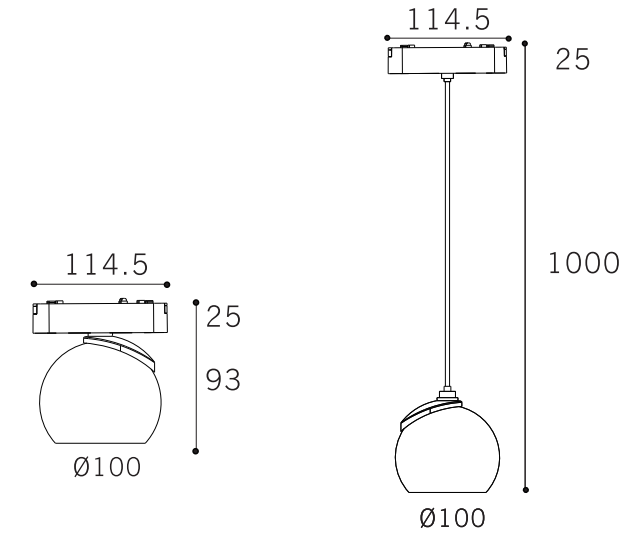
Beam angle



135°

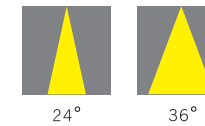


UT25-Marlboro



Product Code	Watt	>CRI	Voltage	LUMEN	Product Size	Finish	CCT	System Options
UT25-MBO-A	12W	Ra90	40-48V	938lm	Φ100x118x114.5	■ BK	3000K	No Dim,
UT25-MBO-B	12W	Ra90	40-48V	982lm	Φ100x1025x114.5	□ WH	3500K 4000K 5000K 2700-6000K	Bluetooth, Zigbee,

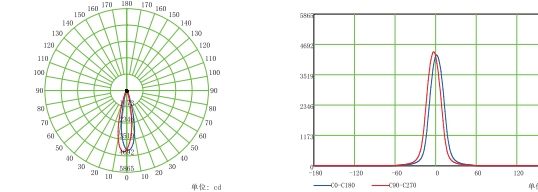
Beam angle



24°

36°

Light distribution curve



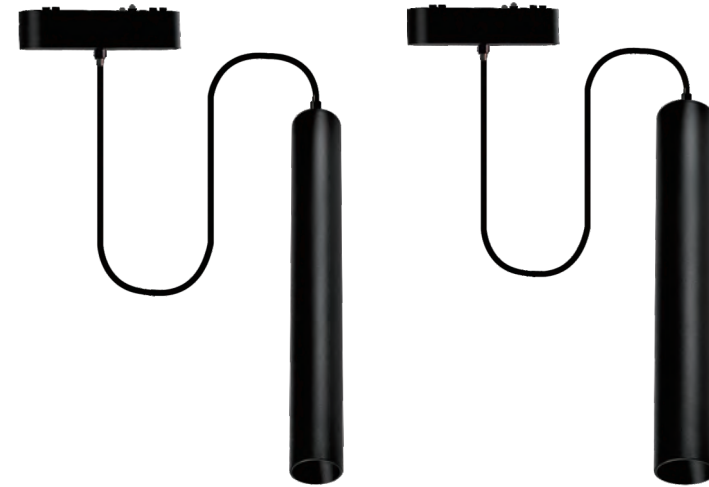
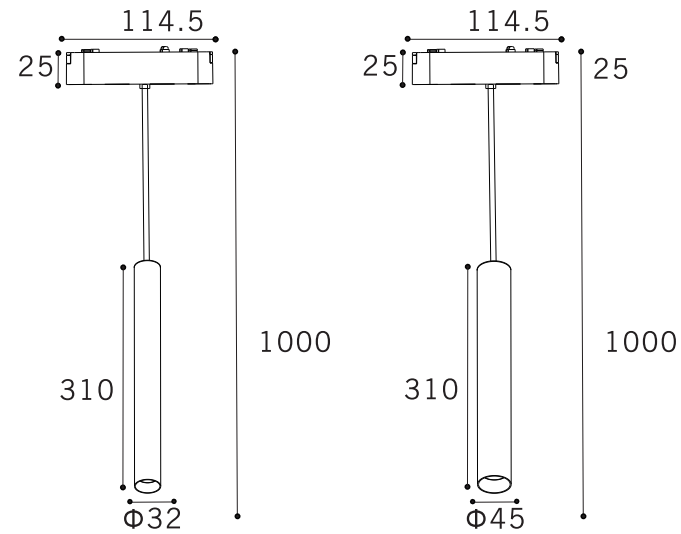
Notes:

*For other options special request, please contact us.

For the most updated product information, please go to our website.

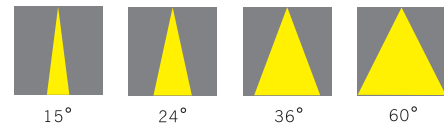


UT25-Spider

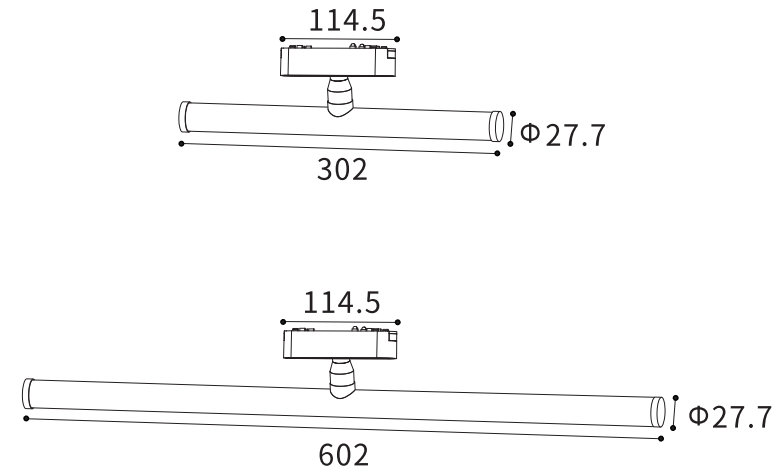


Product Code	Watt	>CRI	Voltage	LUMEN	Product Size	Finish	CCT	System Options
UT25-FM-7W	7W	Ra90	40-48V	596lm	Φ 32x1000x114.5	■ BK	3000K	No Dim,
UT25-FM-15W	15W	Ra90	40-48V	1153lm	Φ 45x1000x114.5	□ WH	3500K 4000K 5000K 2700-6000K	Bluetooth, Zigbee,

Beam angle



UT25-Vision



Product Code	Watt	>CRI	Voltage	LUMEN	Product Size	Finish	CCT	System Options
UT25-TB-300	6W	Ra90	40-48V	640lm	Φ27.7x302x114.5	■ BK	3000K	No Dim,
UT25-TB-600	12W	Ra90	40-48V	1200lm	Φ27.7x602x114.5	□ WH	3500K 4000K 5000K 2700-6000K	Bluetooth, Zigbee,

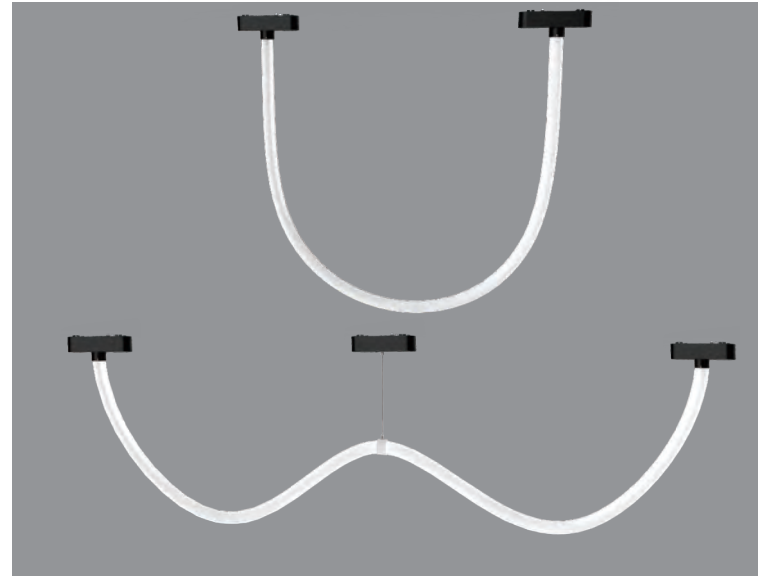
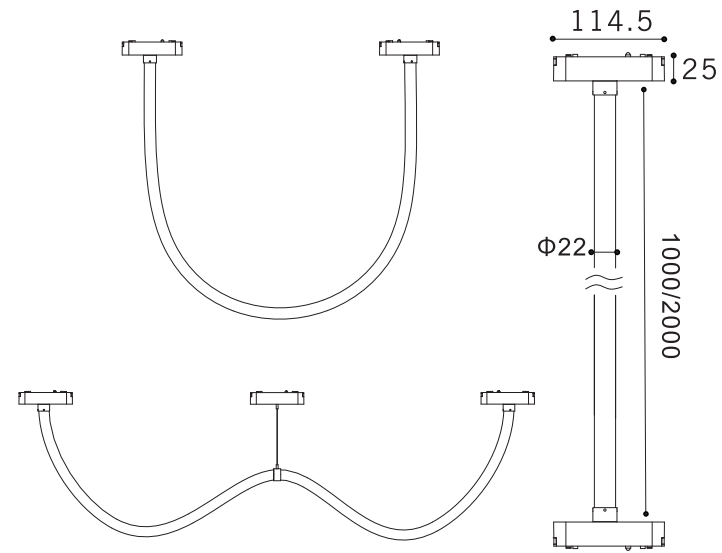
Beam angle



100°



UT25-TUBE



Product Code	Watt	>CRI	Voltage	LUMEN	Product Size	Finish	CCT	System Options
UT25-NENO-1000	18W	Ra90	40-48V	1712lm	Φ22x1070x114.5	■ BK	3000K	No Dim,
UT25-NENO-2000	36W	Ra90	40-48V	4032lm	Φ22x2070x114.5	□ WH	3500K 4000K 5000K 2700-6000K	Bluetooth, Zigbee,

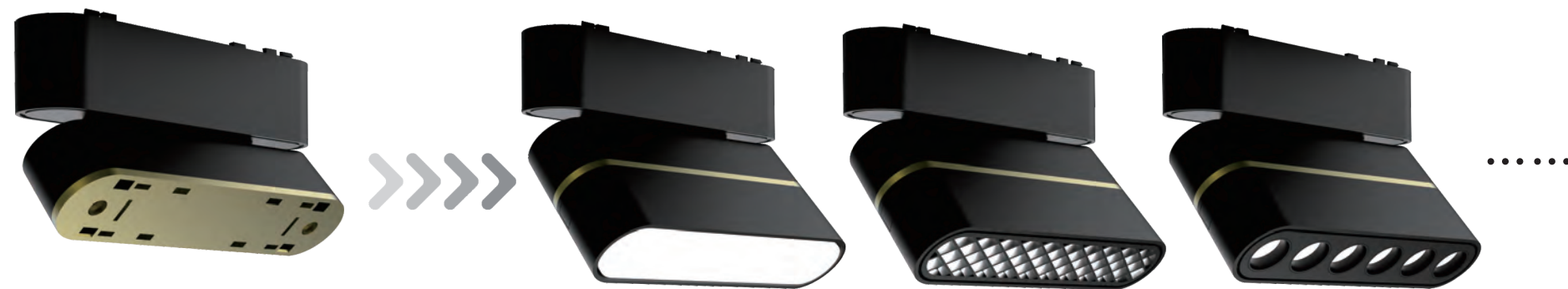
Beam angle



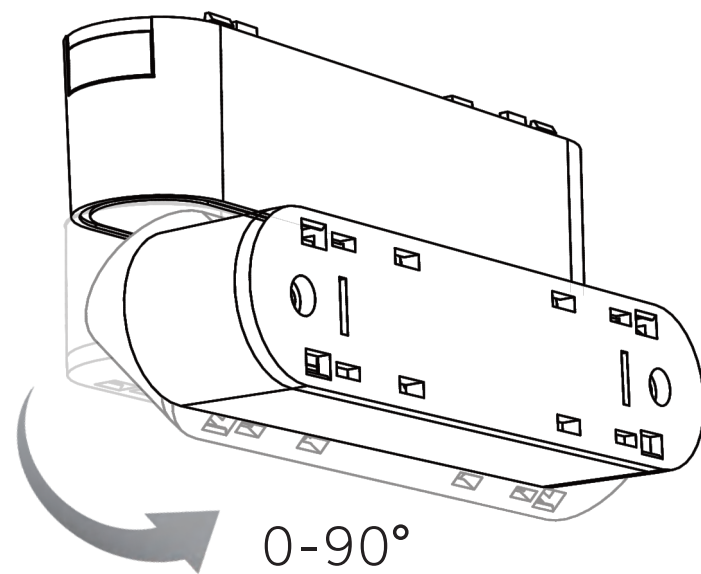
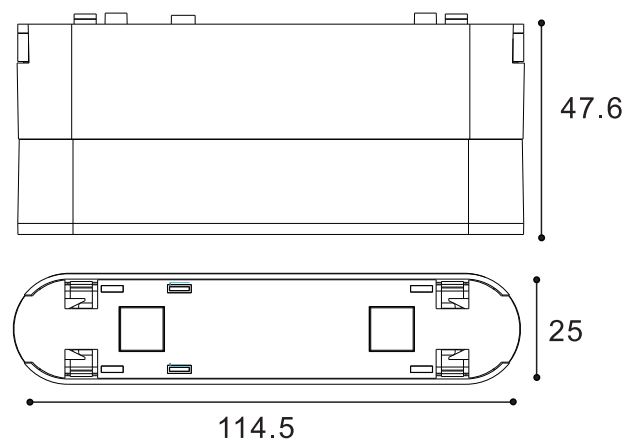
360°



UT25



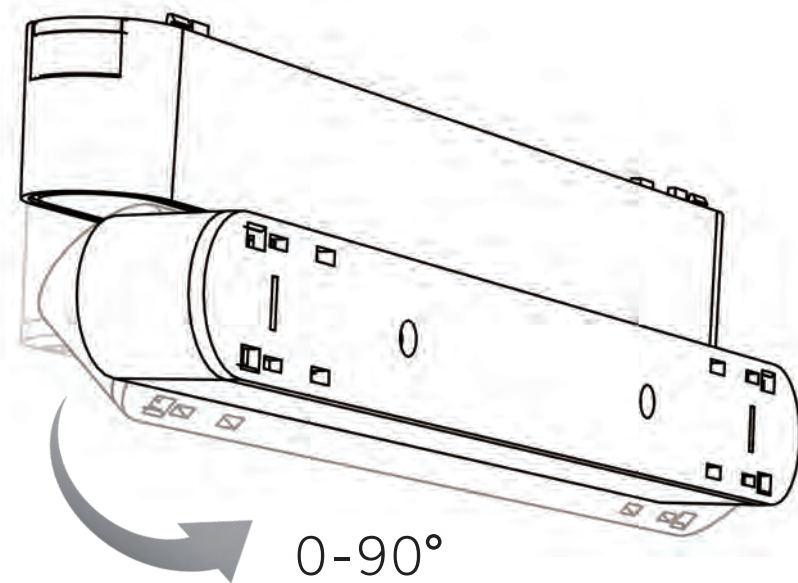
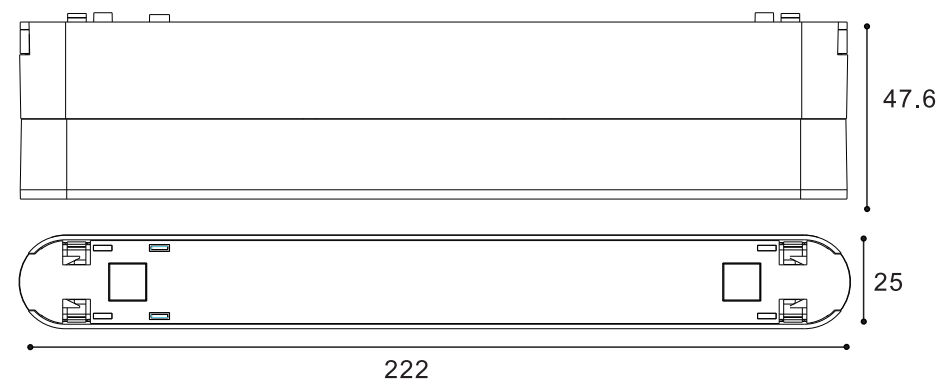
Product Code	Product Size	Rotation angle	Finish
UT25-FMR6	114.5x47.6x25	0-90°	<input checked="" type="checkbox"/> BK <input type="checkbox"/> WH



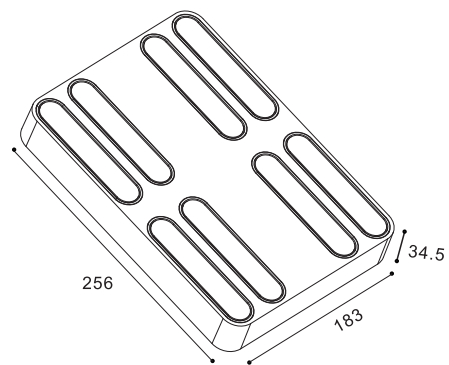
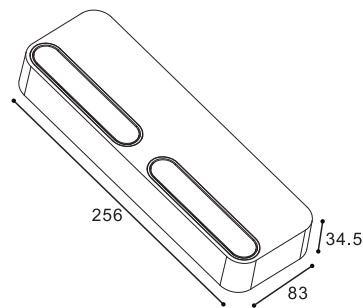
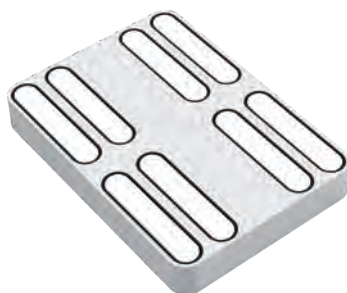
UT25



Product Code	Product Size	Rotation angle	Finish
UT25-FMR12	222x47.6x25	0-90°	<input checked="" type="checkbox"/> BK <input type="checkbox"/> WH



UT25-Surfauce



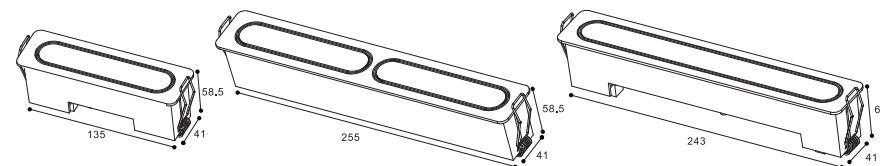
Product Code	Voltage	Product Size	Finish
UT25-SM-6x2	220V	256x83x34.5	■ BK
UT25-SM-6x8	220V	256x183x34.5	□ WH



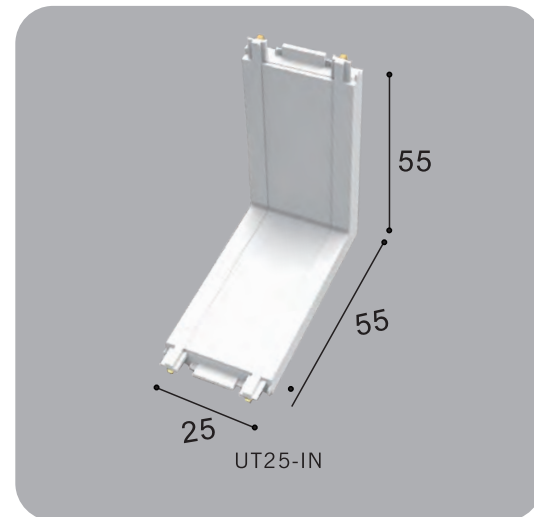
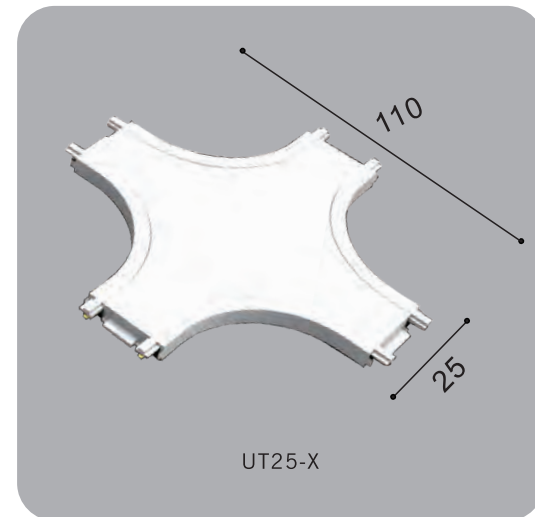
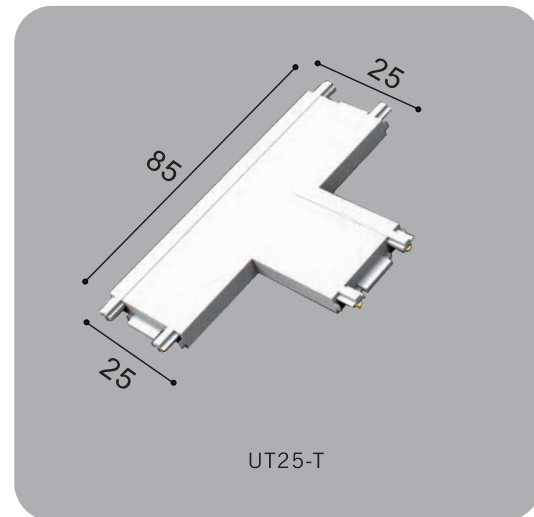
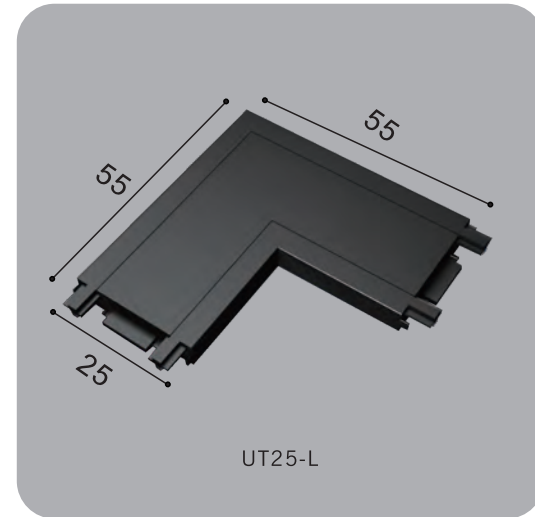
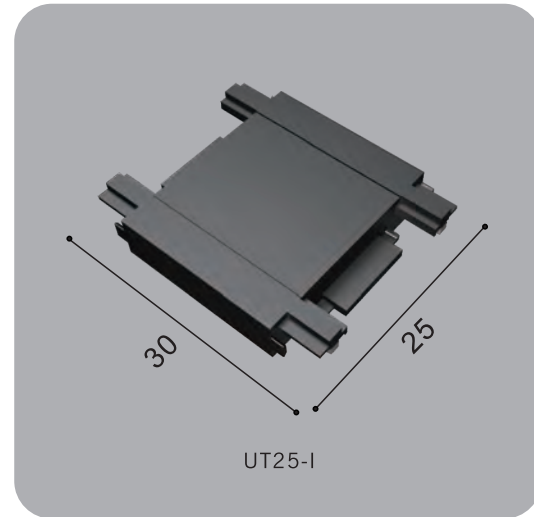
UT25-Recessed



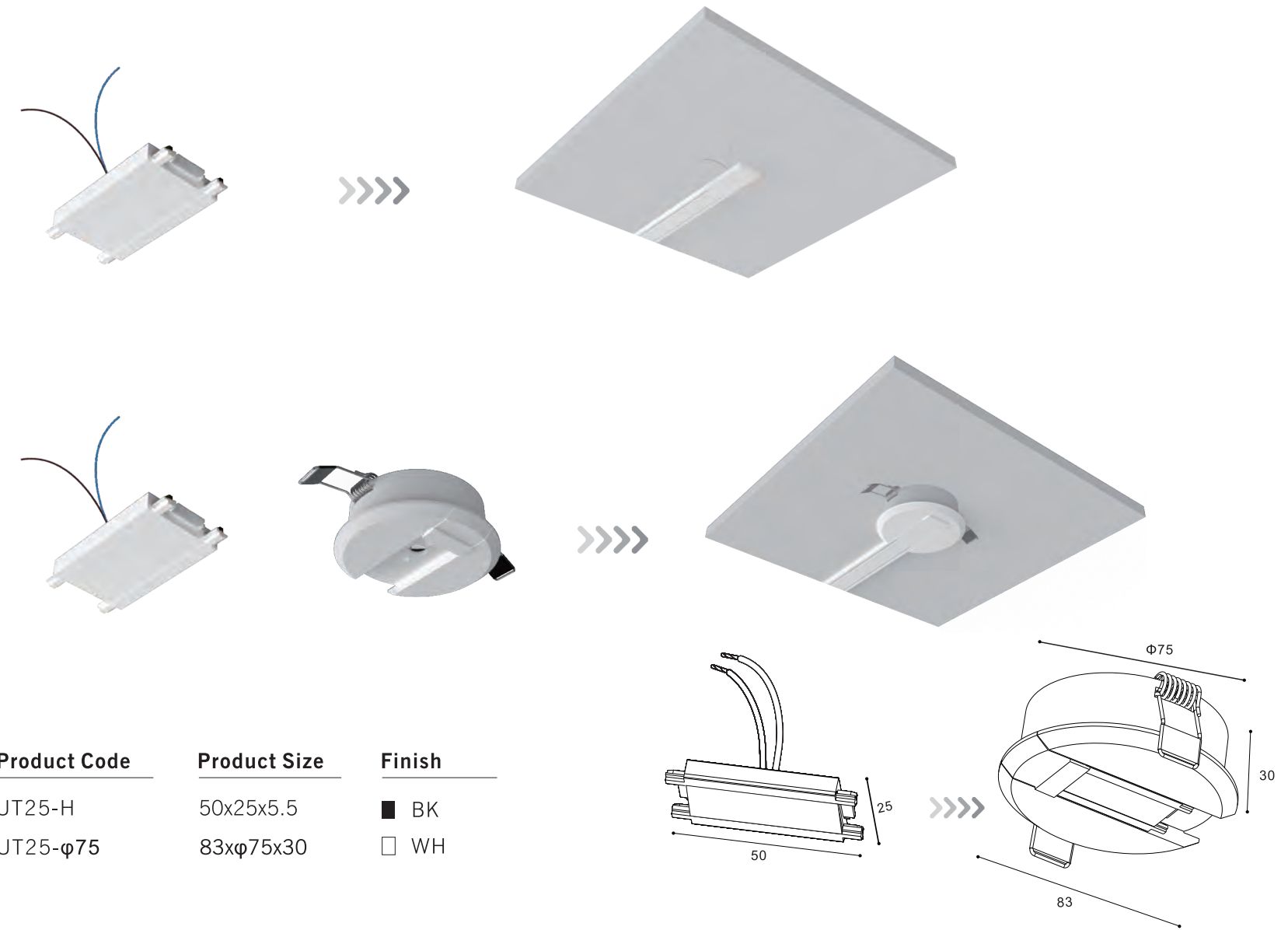
Product Code	Voltage	Product Size	Finish
UT25-RC-6x1	220V	135x41x58.5	■ BK
UT25-RC-6x2	220V	255x41x58.5	□ WH
UT25-RC-12x1	220V	243x41x58.5	



UT25

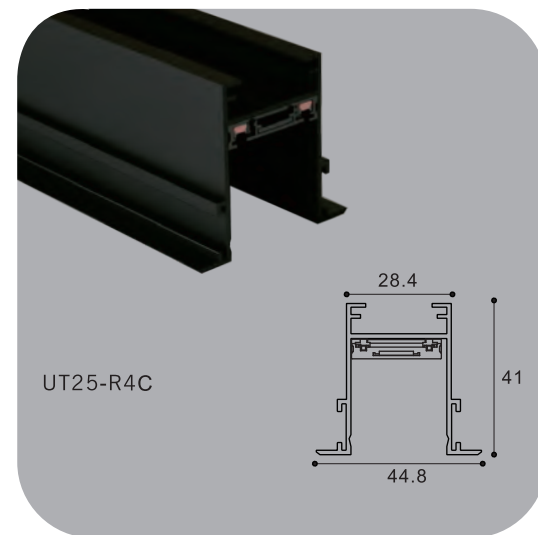
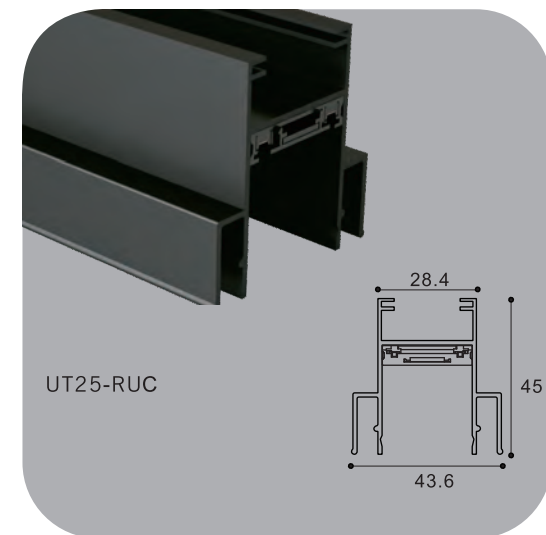


UT25

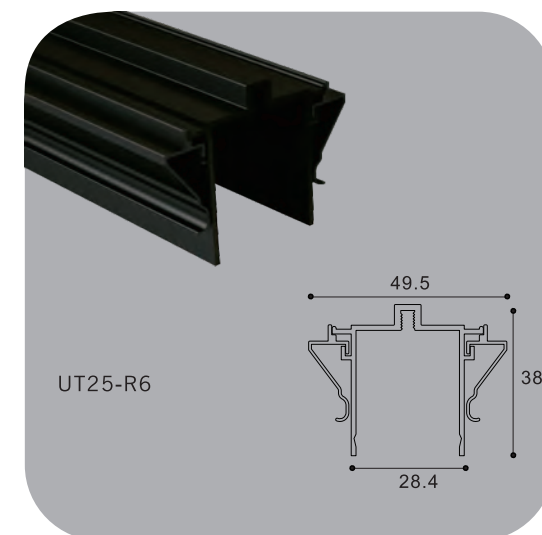
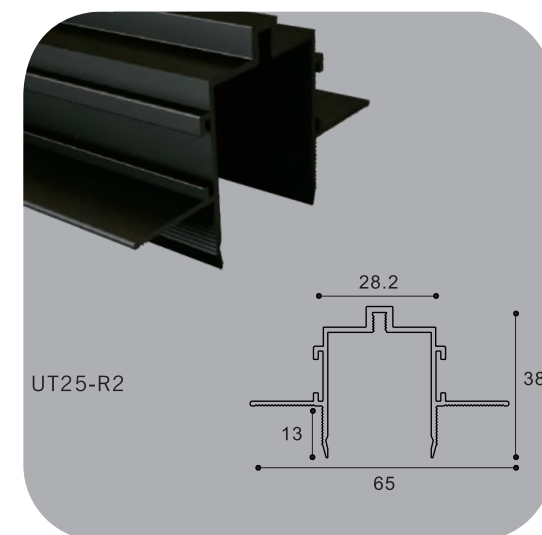
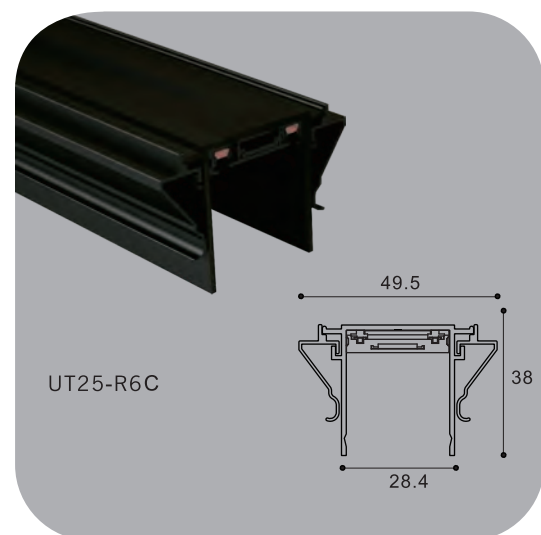
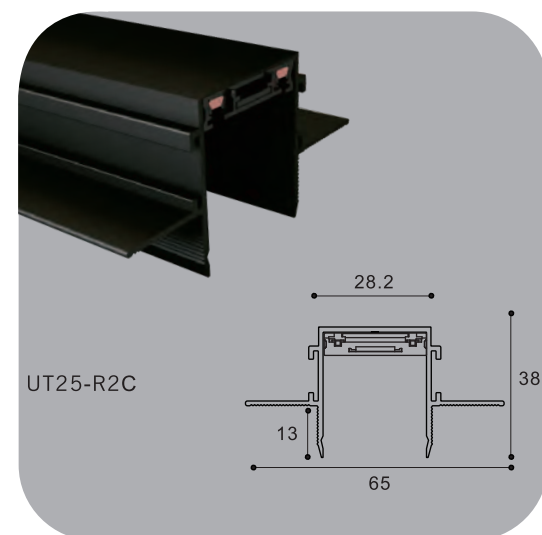
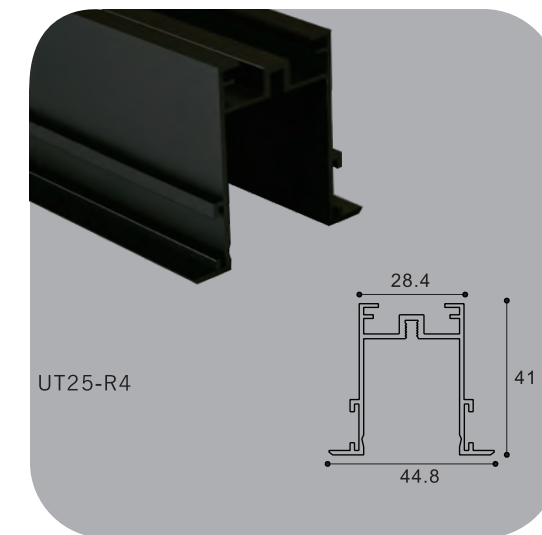
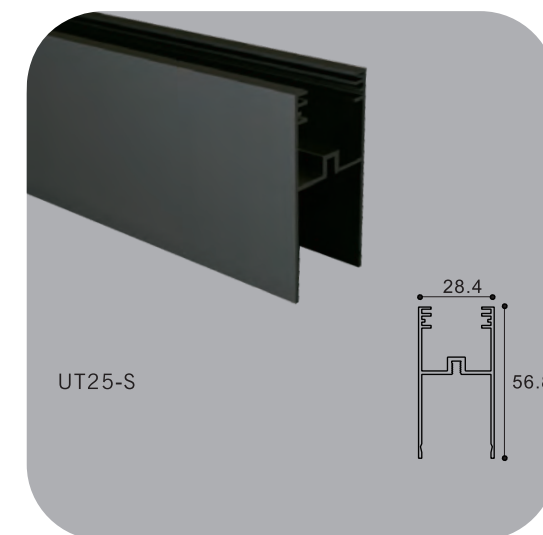
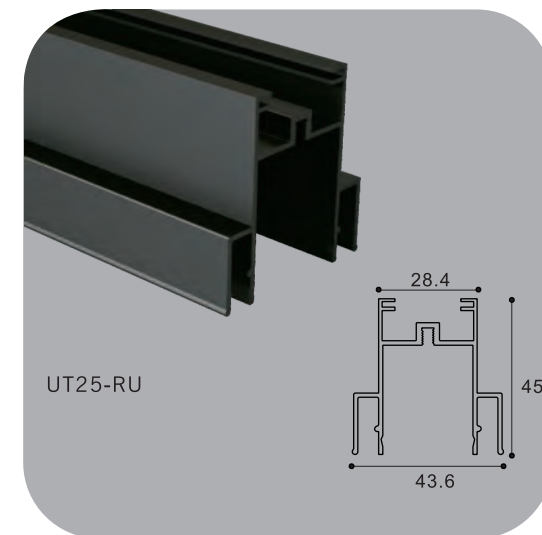


Product Code	Product Size	Finish
UT25-H	50x25x5.5	■ BK
UT25-φ75	83xφ75x30	□ WH

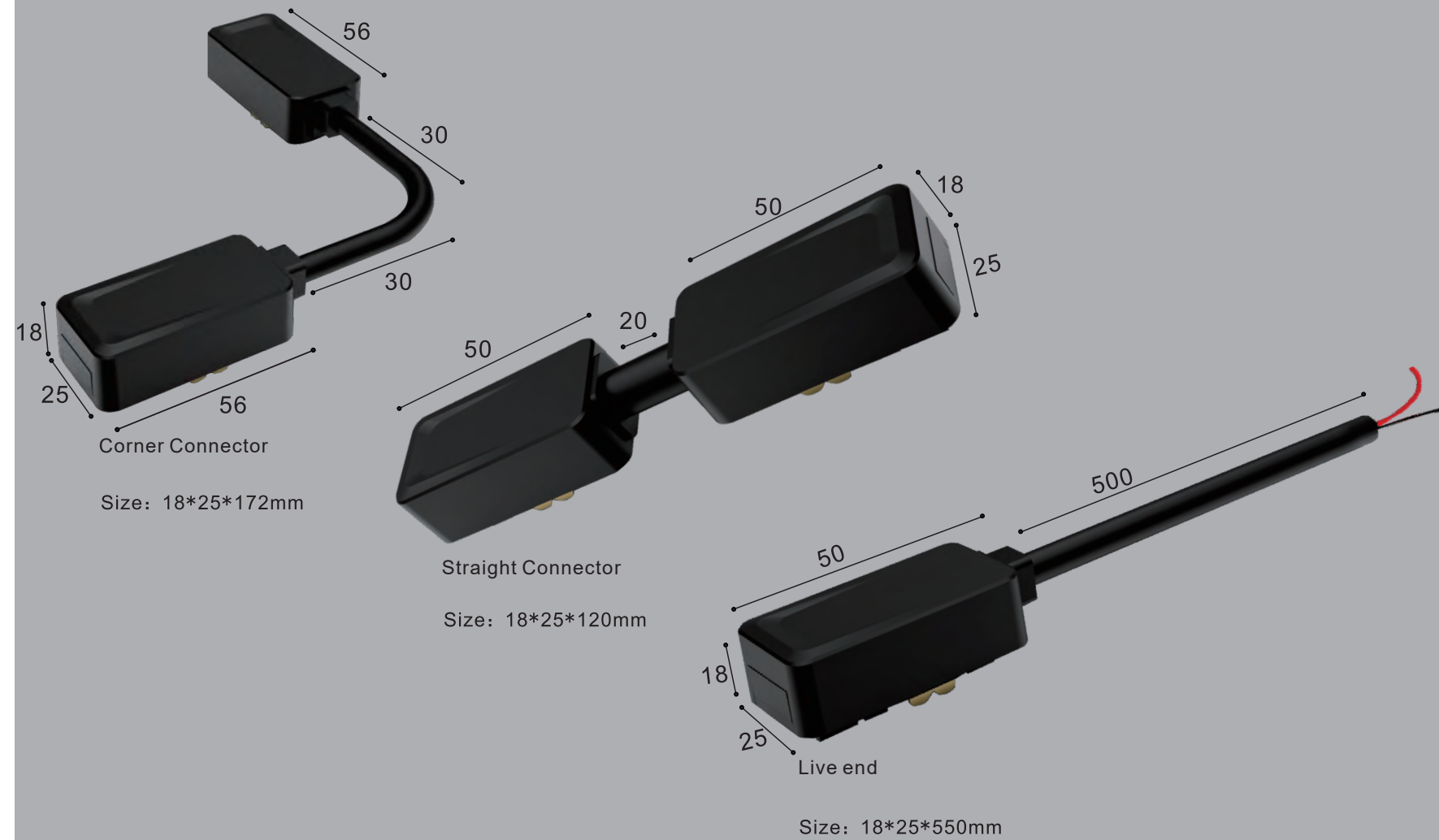
UT25



UT25

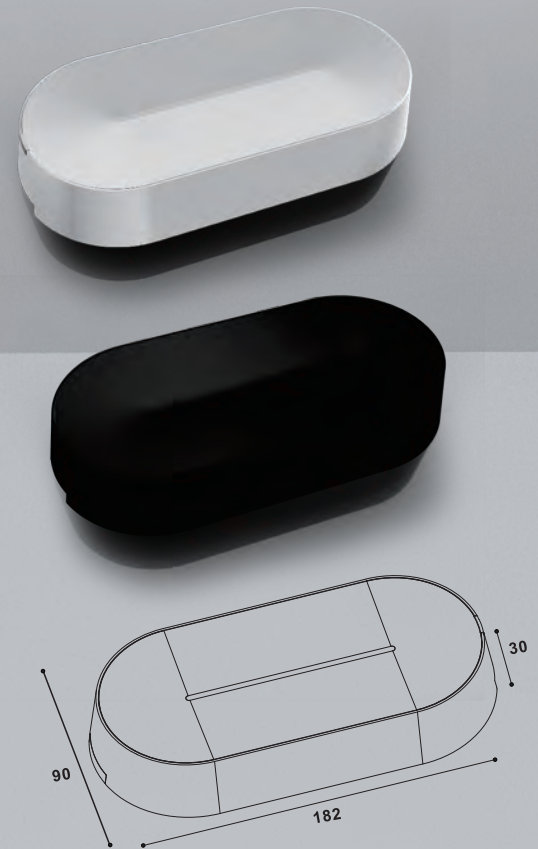


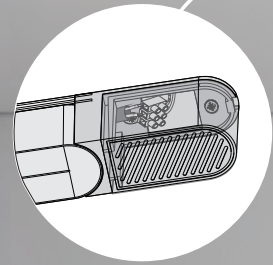
CONNENTION MODULE



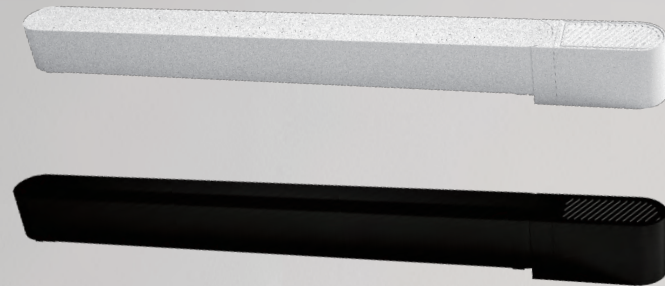
40V POWER SUPPLY 48V

Product Code	Watt	Finish	Warranty
UT25-PWS-100	100W	■ BK	2 Years
UT25-PWS-200	200W	□ WH	2 Years

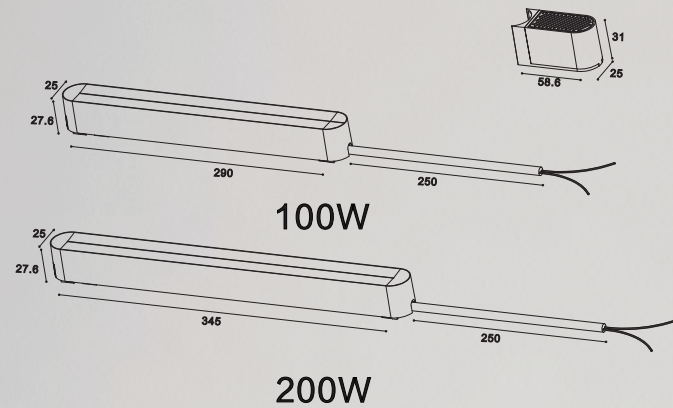




40-48V POWER SUPPLY



Product Code	Watt	Finish	Warrantyes
UT25-PWS-RR-100	100W	■ BK	2 Years
UT25-PWS-RR-200	200W	□ WH	2 Years



40-48V POWER SUPPLY

Product Code	Watt	Finish	Warranty
UT25-PWS-SR-100	100W	■ BK	2 Years
UT25-PWS-SR-200	200W	□ WH	2 Years

